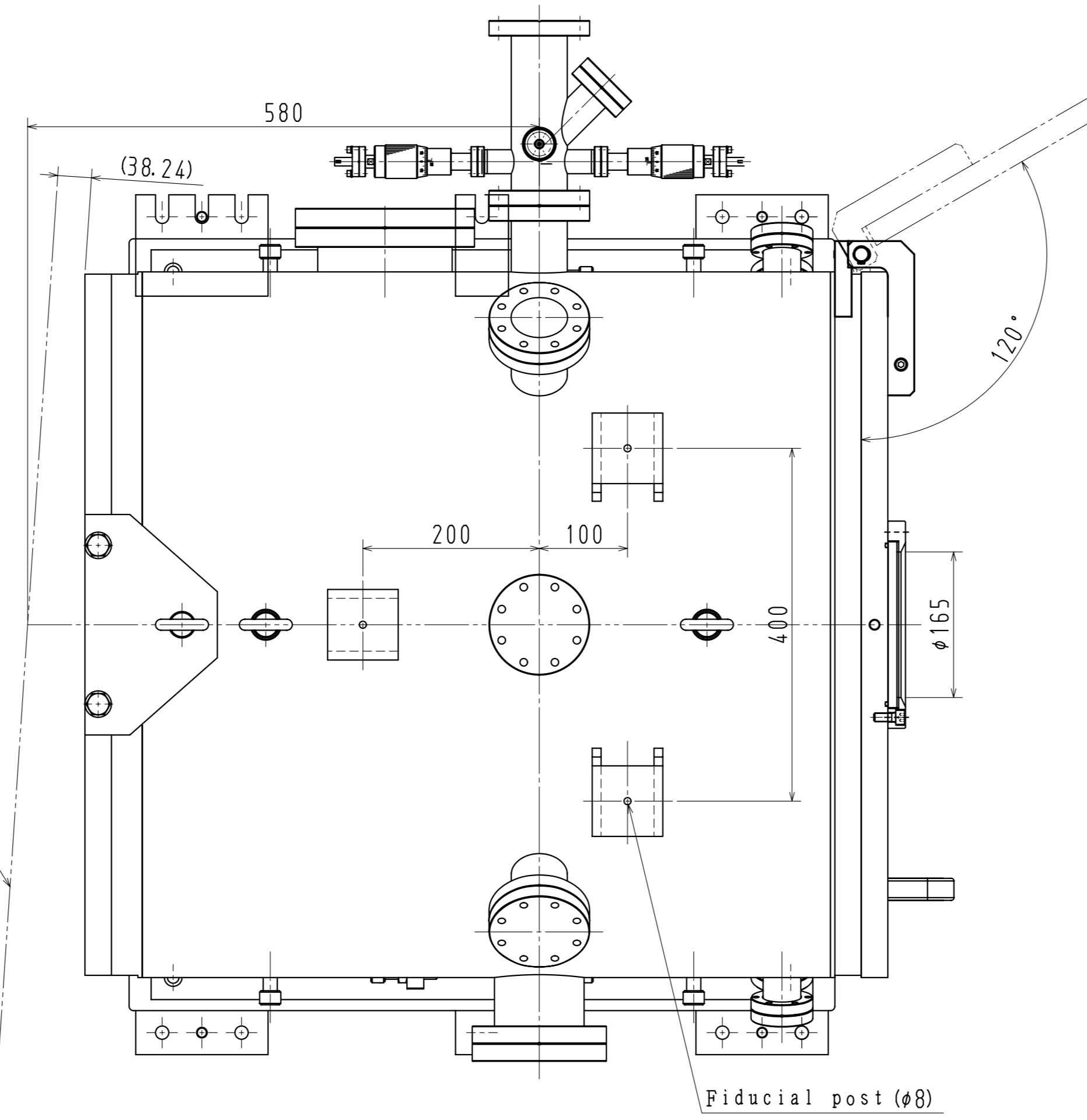
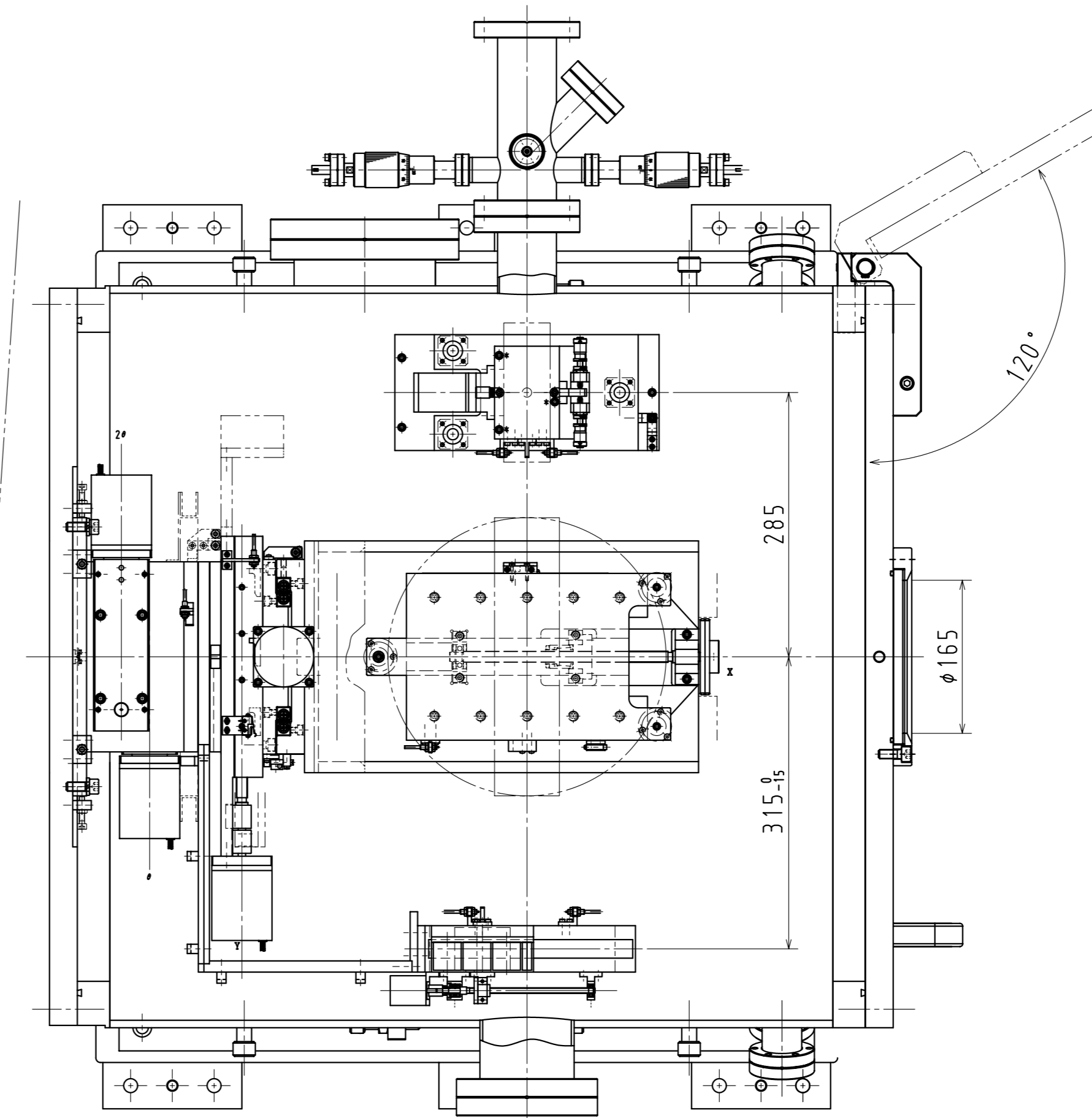


X-X Section

Shielding wall



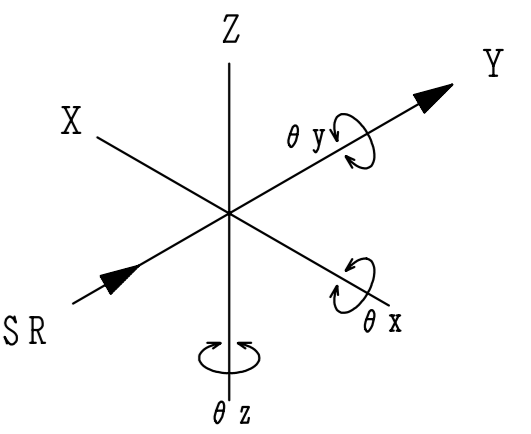
Fiducial post (φ8)



Y-Y Section

<Chamber Adjustment>

Axis	Range	Resolution
X	>±15mm	2mm/rev
Y	>±15mm	2mm/rev
Z	>±6mm	0.3mm/rev

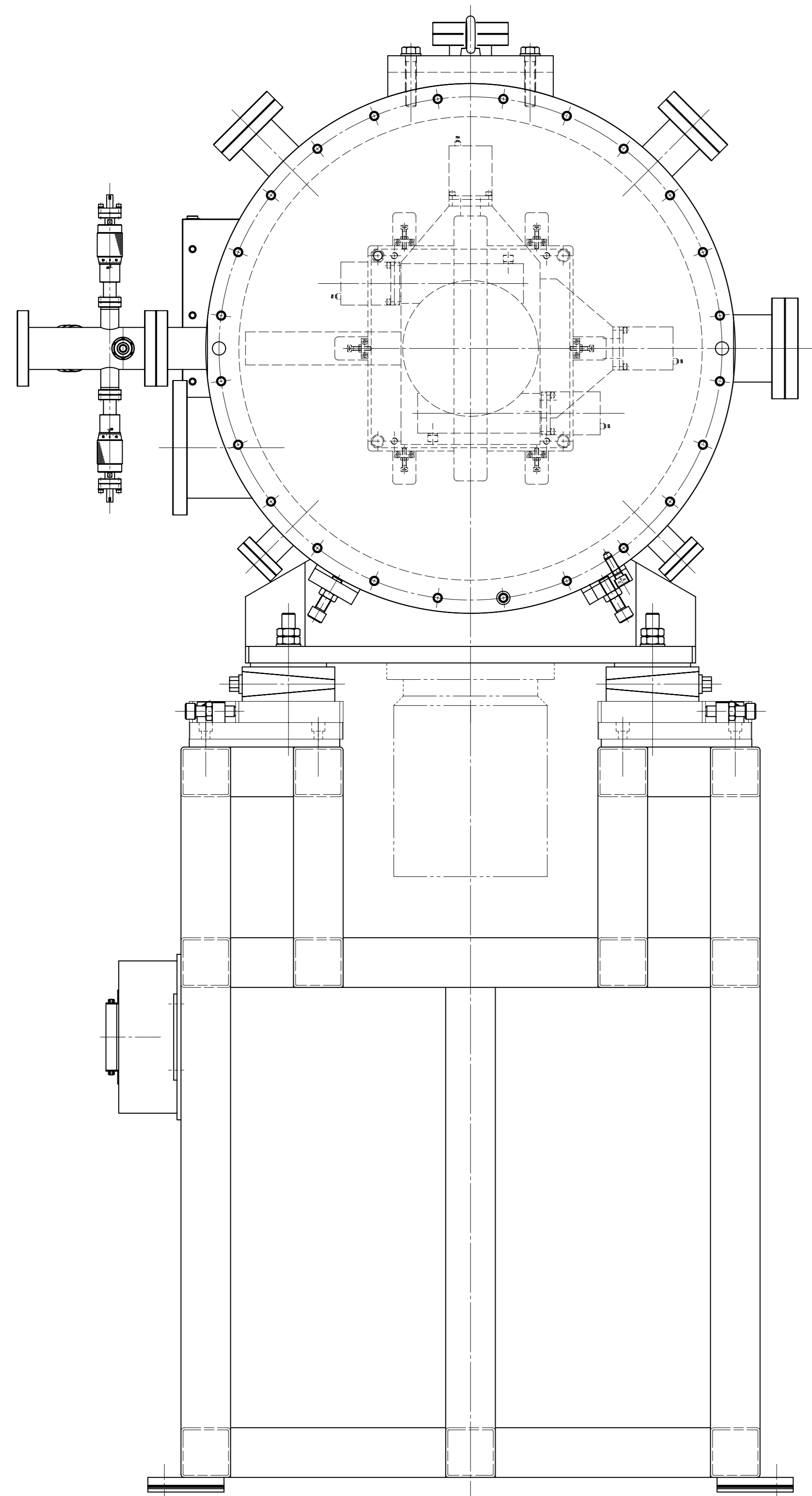


<Basic Coordinates>

<Reflectometer Adjustment>

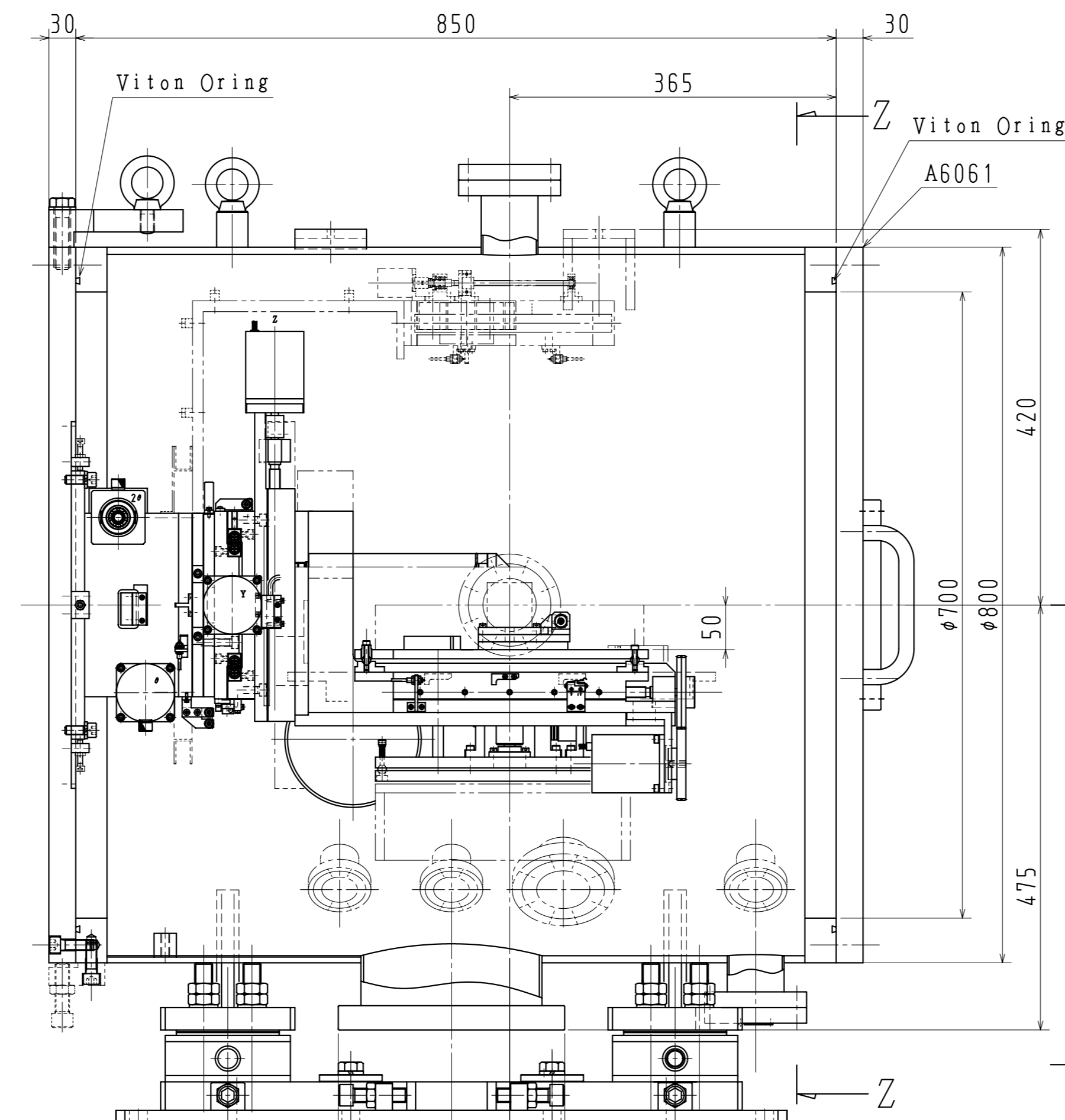
Axis	Range	Resolution	Reproducibility
X	±75mm	0.0195μm/Pulse	<±0.001mm
Y	±75mm	0.0195μm/Pulse	<±0.001mm
Z	±75mm	0.0195μm/Pulse	<±0.001mm
θ	±180°	0.14"/Pulse	<±0.001°
2θ	+20, -200°	0.14"/Pulse	<±0.001°

Use micro-step driving (1/256)  
 \*Sample size: 300Lx70Wx50T  
 :φ300x50T



Y

X



Pomping Port  
CF200 (R)

400

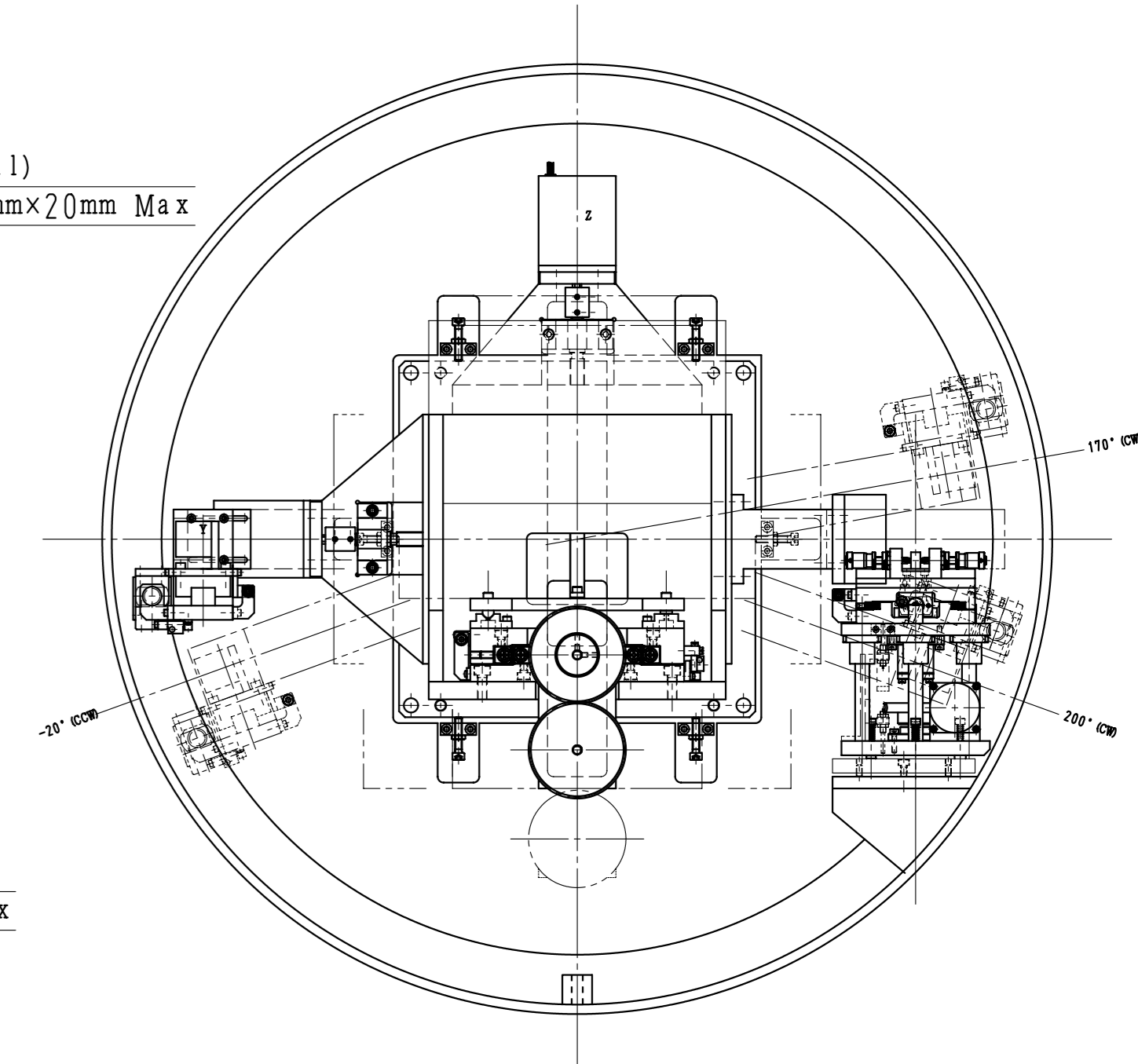
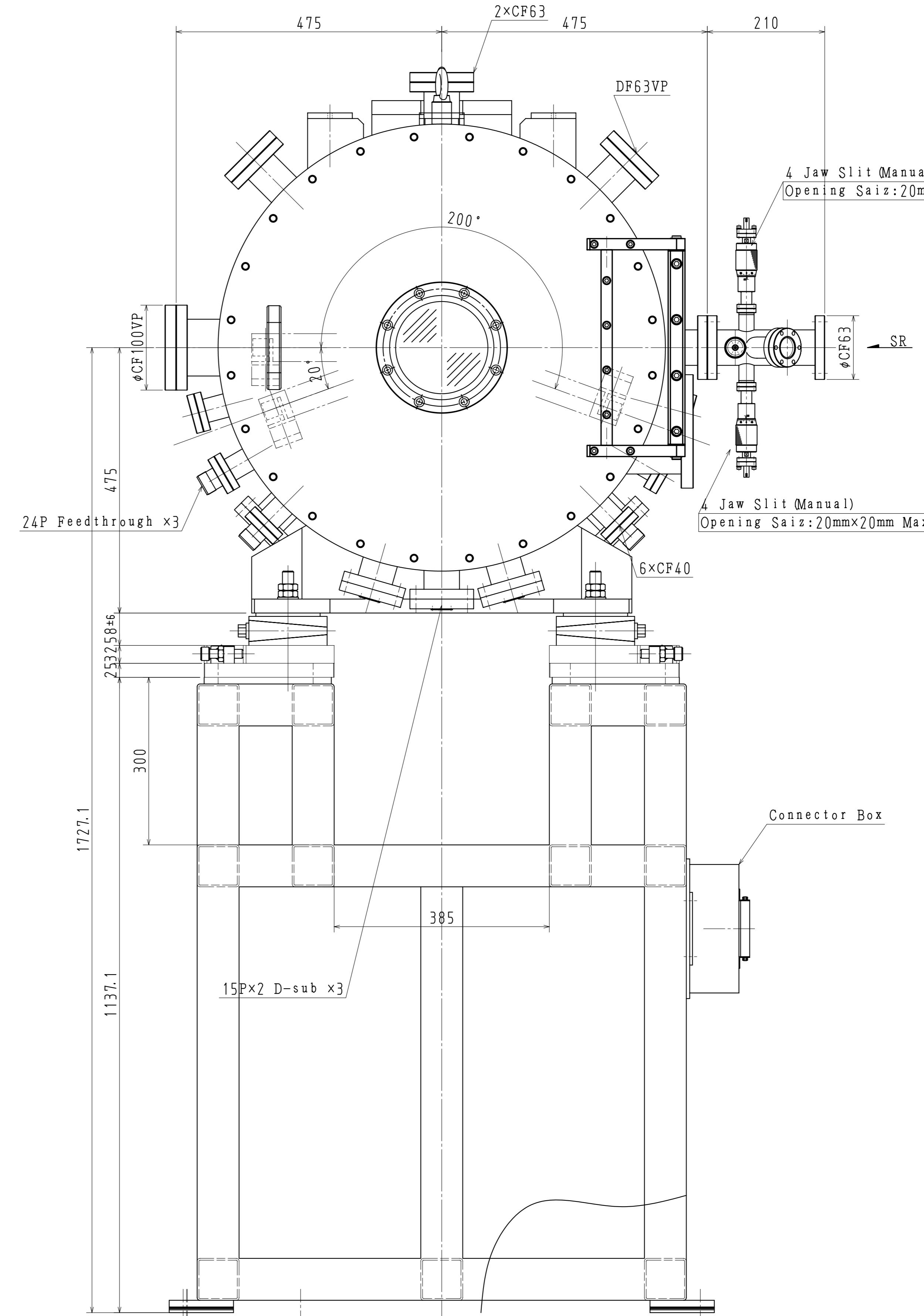
65

800

335

Z

filled of sand Shims: 5t (x1), 2t (x1), 1t (x2), 0.5t (x2)



Z-Z Section